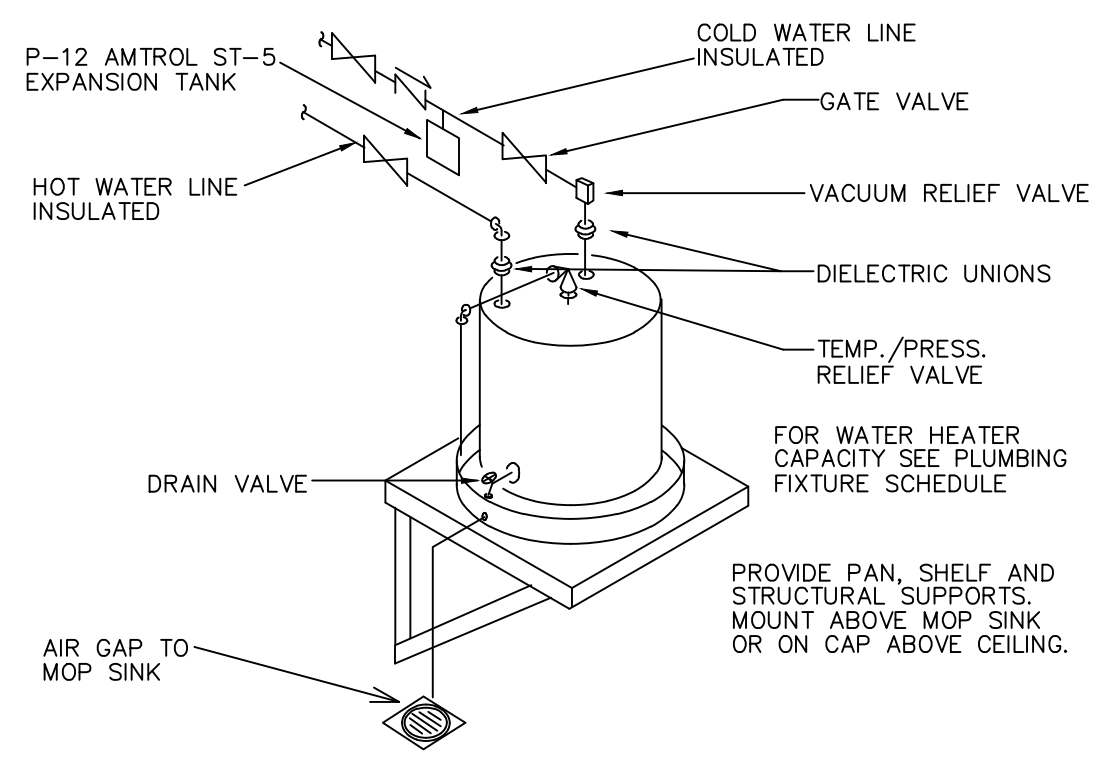
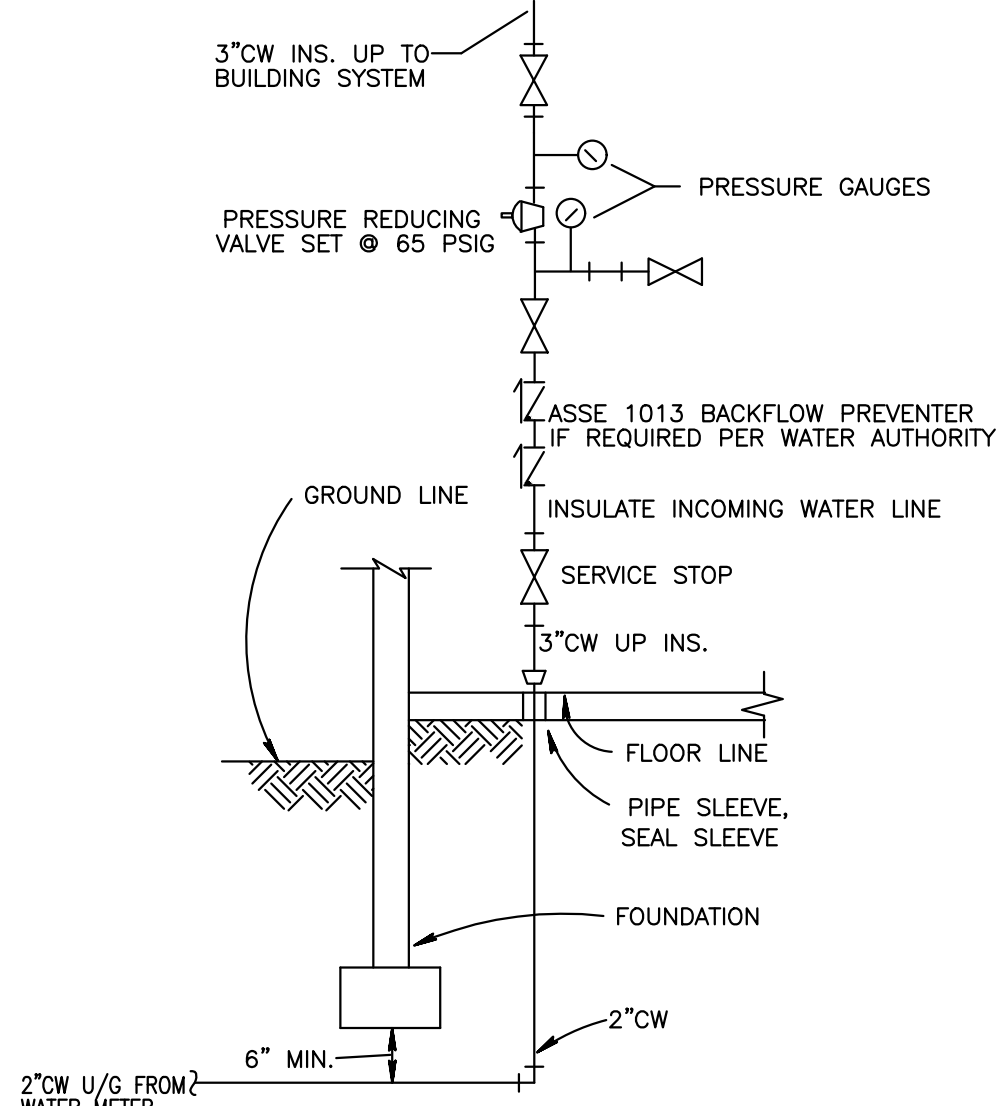


PLUMBING FIXTURE SCHEDULE							
MARK	DESCRIPTION	MINIMUM CONNECTIONS INCHES				REMARKS	MANUFACTURER OR EQUAL
		COLD	HOT	WASTE	VENT		
P-1	WATER CLOSET - HANDICAP	1	---	3	1 1/2	ELONGATED BOWL A.D.A. COMPLIANT	METRAFF MODEL 4652 FLOOR MOUNTED/OUTLET/BACK SUPPLY HIGH ABUSE TOILET W/ SLOAN 111-ESS CHROME PLATED AC POWERED FLUSH VALVE (1.6 GPF). A.D.A. COMPLIANT.
P-2	WATER CLOSET - STANDARD	1	---	3	1 1/2	ELONGATED BOWL	METRAFF MODEL 4643 FLOOR MOUNTED/OUTLET/BACK SUPPLY CONNECTION HIGH ABUSE TOILET W/ SLOAN 111-ESS CHROME PLATED AC POWERED FLUSH VALVE (1.6 GPF).
P-3	URINAL - HANDICAP	3/4	---	2	1 1/2	A.D.A. COMPLIANT	METRAFF MODEL 7920 S.S. URINAL W/ WALL CARRIER, BACK SUPPLY CONNECTION, AND SLOAN 180-1 ESS CHROME PLATED AC POWERED FLUSH VALVE (1.0 GPF). MOUNT AT A.D.A. HEIGHT.
P-4	URINAL - STANDARD	3/4	---	2	1 1/2	A.D.A. COMPLIANT	METRAFF MODEL 7920 S.S. URINAL W/ WALL CARRIER, BACK SUPPLY CONNECTION, AND SLOAN 180-1 ESS CHROME PLATED AC POWERED FLUSH VALVE (1.0 GPF). MOUNT AT STANDARD HEIGHT.
P-5	S.S. UNDERMOUNT LAVATORY - H.C.	1/2	1/2	1 1/2	1 1/4	A.D.A. COMPLIANT W/ TEMPERING VALVE	DAYTON MODEL DDU210 W/ SLOAN EIT-80 AC POWERED FAUCET AND BOT ASSE 1070 THERMO-STATIC MIXING VALVE, AND DRAIN. A.D.A. COMPLIANT W/ TRUEBRO LAVAGUARD INSULATION.
P-6	FLOOR DRAIN W/ INLINE TRAP SEALER	---	---	3	1 1/2	---	JOSAM 3000-A FLOOR DRAIN W/ ADJUSTABLE STRAINER AND AND SURE SEAL MODEL SS3000P INLINE FLOOR DRAIN TRAP SEALER.
P-7	MOP SERVICE SINK	3/4	3/4	3	1 1/2	W/ VACUUM BREAKER	MUSTEE 63M MOP BASH W/ VACUUM BREAKER, 63.600A SERVICE FAUCET, AND 65.700 HOSE/HOLDER.
P-8	BI-LEVEL OUTDOOR DRINKING W/ BOTTLE FILLER	---	---	---	---	A.D.A. COMPLIANT	ELKAY MODEL LK4098F BI-LEVEL DRINKING FOUNTAIN W/ MOUNTING HARDWARE AND BOTTLE FILLER. MOUNT PER A.D.A. AND CODE.
P-9	WATER CLOSET - HANDICAP	1	---	3	1 1/2	ELONGATED BOWL A.D.A. COMPLIANT	KOHLER K-3085-0 FLOOR MOUNTED/OUTLET FLUSH VALVE TOILET W/ K-4670-CA-0 SEAT & SLOAN 111-ESS CHROME PLATED AC POWERED FLUSH VALVE (1.6 GPF). A.D.A. COMPLIANT.
P-10	UNDERMOUNT LAVATORY-HANDICAP	1/2	1/2	1 1/2	1 1/4	A.D.A. COMPLIANT W/ TEMPERING VALVE	KOHLER MODEL 2209 W/ SLOAN EIT-80 AC POWERED FAUCET AND BOT ASSE 1070 THERMO-STATIC MIXING VALVE, AND DRAIN. A.D.A. COMPLIANT W/ TRUEBRO LAVAGUARD INSULATION.
P-11	20 GALLON ELECTRIC WATER HEATER	1 1/4	1 1/4	---	---	W/ P-14 EXPANSION TANK	A.O. SMITH MODEL DEL-20 ELECTRIC WATER HEATER, 3000W SINGLE ELEMENT, 208/240V/60 W/ TAP RELIEF PIPES & DRAIN PAN. SEE DETAIL ON THIS DWG.
P-12	HOT WATER EXPANSION TANK	3/4	---	---	---	INSTALL ON CW LINE	AMTROL MODEL ST-5, 150 PSIG, 2.0 GALLONS, MAXIMUM 200°F OPERATING TEMPERATURE & 150 PSIG WORKING PRESSURE. INSTALL ON COLD WATER LINE.
P-13	FROST PROOF HOSE BIB	3/4	---	---	---	---	JOSAM HYDRASAN 1 SERIES 71050 OR APPROVED EQUAL KEY CONTROL FITTING, W/ INTEGRAL VACUUM BREAKER.

- PLUMBING NOTES:**
- ALL FIXTURES SHALL BE WHITE UNLESS NOTED OTHERWISE.
 - ALL WORK SHALL COMPLY W/ THE 2018 INTERNATIONAL MECHANICAL AND PLUMBING CODES, NATIONAL ELECTRICAL CODE, AND LOCAL GOVERNING CODES AND PERMITS. CONTRACTOR SHALL OBTAIN AND PAY FOR ALL PERMITS.
 - ALL INTERIOR HOT & COLD WATER LINES SHALL BE INSULATED. HOT WATER LINES & EXPOSED DRAINS SHALL BE INSULATED W/ WHITE PLASTIC JACKET INSULATION TO PREVENT TOUCH BY HANDICAP (TRUEBRO LAV GUARD OR EQUAL). PIPE INSULATION SHALL BE 1" THICK (1/2" FOR COLD WATER) IN WALLS AND CEILINGS.
 - CONTRACTOR SHALL PROVIDE ALL NECESSARY FITTINGS, FIXTURES, & VALVES TO MAKE A COMPLETE AND OPERATING SYSTEM. ALL PIPING SHALL BE RUN INSIDE WALLS, ABOVE CEILING, OR EXPOSED AT MAXIMUM HEIGHT UNLESS SHOWN OTHERWISE. ALL PIPE PENETRATIONS OF FIRE RATED CEILINGS AND WALLS SHALL HAVE FIRE SEALANT/CAULKING PER MANUFACTURER AND CODE.
 - CONTRACTOR SHALL COORDINATE CONNECTION OF WATER AND SEWER SYSTEMS W/ SITE CONTRACTOR, OWNER, AND G.C. CONTRACTOR SHALL COORDINATE SHUT-DOWN OF UTILITY SYSTEMS W/ LOCAL UTILITY CO. & OWNER PRIOR TO MAKING FINAL CONNECTIONS TO WATER, GAS, STORM, & SEWER MAINS.
 - CONTRACTOR SHALL PROVIDE ALL MOUNTING HARDWARE AND ACCESSORIES TO INSTALL ALL FIXTURES. INSTALL HANDICAP FIXTURES IN COMPLIANCE W/ ADA.
 - PLUMBER/INSTALLER SHALL ENSURE THAT PIPES ARE ADEQUATELY INSULATED TO PREVENT FREEZING. PLUMBER SHALL USE FIBERGLASS INSULATION W/ VAPOR BARRIER (OWENS CORNING OR EQUAL).
 - PLUMBING CONTRACTOR SHALL FIELD COORDINATE FINAL LOCATION OF WATER, SANITARY SEWER, AND VENT PIPING W/ G.C., STRUCTURAL, MECHANICAL, SPRINKLER, AND ELECTRICAL CONTRACTORS AND ADJUST FINAL LOCATIONS BASED ON FINAL FIELD CONDITIONS TO AVOID INTERFERENCES.



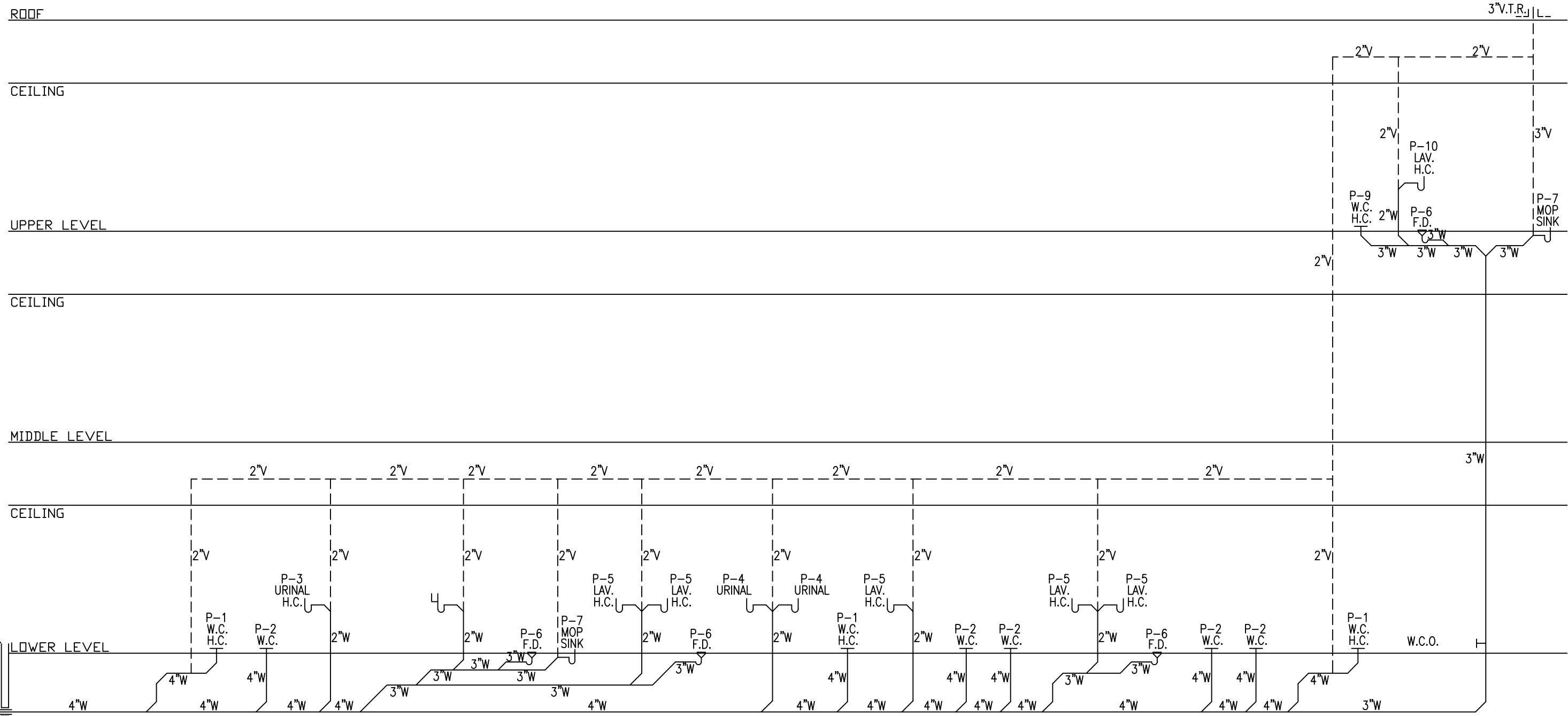
P-11 WATER HEATER DETAIL
NOT TO SCALE



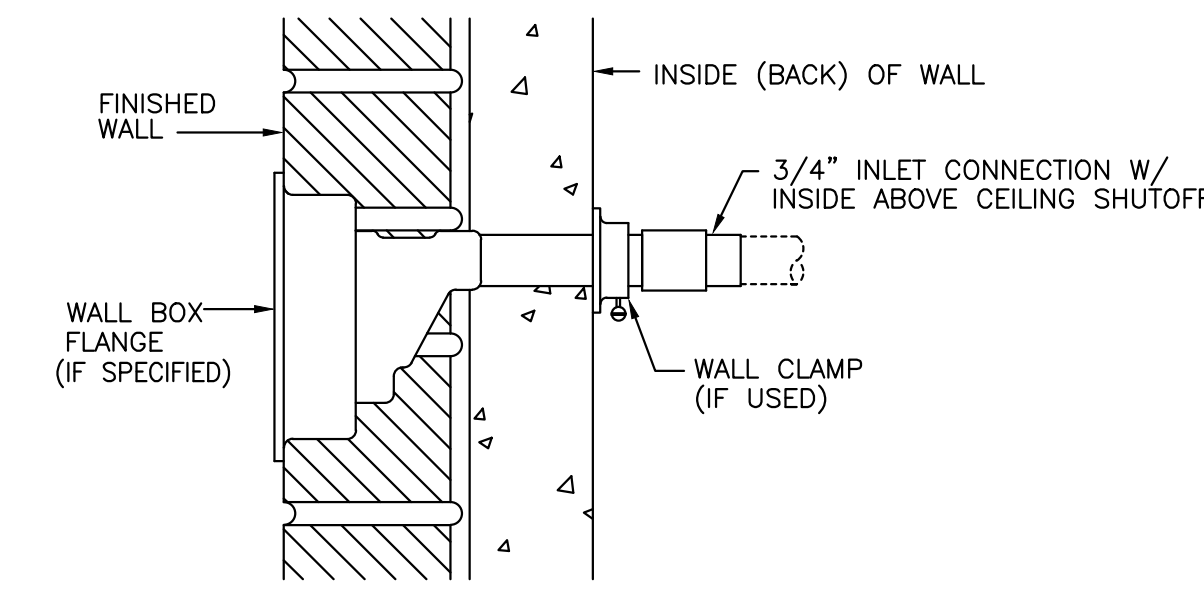
WATER SERVICE ENTRANCE DETAIL
NOT TO SCALE

PLUMBING LEGEND

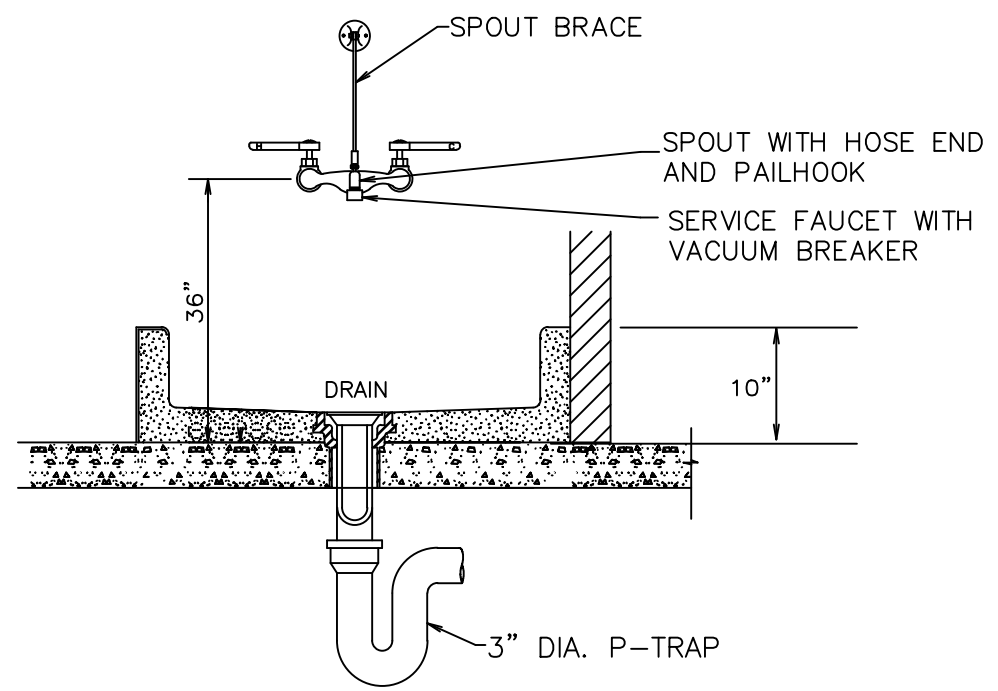
— W —	SANITARY SEWER U/G (WASTE)
— V —	VENT (V)
— CW —	COLD WATER (CW)
— HW —	DOMESTIC HOT WATER SUPPLY (HW)
— HWR —	DOMESTIC HOT WATER RETURN (HWR)
W.H.A.	WATER HAMMER ARRESTOR (SHOCK ABSORBER)
P-#	JOSAM MFR MODEL 75000 SERIES OR EQUAL
C.O.	FLOOR CLEAN-OUT
F.C.O.	FLOOR CLEAN-OUT W/ BRASS COVER
W.C.O.	WALL CLEAN-OUT W/ CHROME COVER
V.T.R.	VENT THRU ROOF
F.P.H.B.	FREEZE PROOF HOSE BIBB
F.D.	FLOOR DRAIN (SEE SCHEDULE FOR TRAP PRIMER)
U/G	UNDERGROUND INSTALLATION.
○	PIPE UP - INSULATED
◁	PIPE DOWN - INSULATED



S-1 SANITARY WASTE RISER DIAGRAM
NOT TO SCALE



P-13 FREEZEPROOF WALL HYDRANT DETAIL
NOT TO SCALE



P-7 MOP SINK DETAIL
NOT TO SCALE

HANDICAP ACCESSIBILITY NOTES:

- WATER CLOSETS: 17"-19" A.F.F. TO RIM
18" FROM SIDEWALL TO CENTER (IN PLAN)
- LAVATORIES: 34" MAX. A.F.F. TO TOP OF RIM
29" MIN. CLEAR A.F.F. @ APRON
17" MIN. PROJECTION
30" CLEAR CENTERED (IN PLAN)
- DRINKING FOUNTAINS: 36" MAX. A.F.F.
27" MIN. CLEAR A.F.F. @ APRON
17"-19" PROJECTION

Preston Fields
Pressbox and
Bathroom
Building
Jim Barnett Park
Winchester, VA 22601

Site Engineer

PAINTER-LEWIS, P.L.C.
817 Cedar Creek GRADE, Suite 120
Winchester, Virginia 22601
(540) 662-5792

Mech/Elect. Engineer

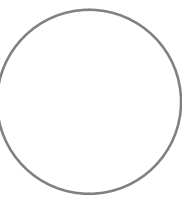
Comfort Design, Inc.
620 Pennsylvania Avenue
Winchester, VA 22601

Architect

Issue/Revision	Seal

Drawing Title
Plumbing Schedules and Details

Date: 5/16/23
Scale: Noted
Project Number: 21005
Drawing Number



NORTH (building)

NOTES:

GENERAL

- A. THE CONTRACTOR SHALL COMPLY WITH ALL THE LAWS, ORDINANCES, RULES, CODES AND REGULATIONS OF ALL GOVERNMENTAL AUTHORITIES HAVING JURISDICTION AND THE NATIONAL FIRE PROTECTION ASSOCIATION.
- B. BEFORE COMMENCING ANY WORK, THE CONTRACTOR SHALL VERIFY ALL GOVERNING DIMENSIONS AT THE SITE AND EXAMINE ADJOINING WORK ON WHICH ITS WORK WILL BE DEPENDENT AND REPORT ANY CONFLICTS OR DISCREPANCIES TO THE ARCHITECT /ENGINEER.
- C. PROVIDE ALL WORK INDICATED ON THE CONTRACT DOCUMENTS.
- D. THE DRAWINGS SHALL BE CONSIDERED AS DIAGRAMMATIC. ATTENTION IS CALLED TO THE FACT THAT WHILE THE DRAWINGS ARE GENERALLY TO SCALE AND ARE AS ACCURATE AS THE SCALE WILL PERMIT, ALL IMPORTANT DIMENSIONS SHALL BE DETERMINED IN THE FIELD. THE DRAWINGS ARE NOT TO BE CONSIDERED AS CONSTRUCTION DRAWINGS. THE DRAWINGS DO NOT INDICATE EVERY FITTING, ELBOW, OFFSET, VALVE, ANY OR SIMILAR COMPONENTS REQUIRED TO COMPLETE THE WORK.
- E. THE CONTRACTOR SHALL INSTALL AND CONNECT ALL EQUIPMENT AND MATERIALS IN ACCORDANCE WITH THE BEST ENGINEERING PRACTICE AND UNLESS OTHERWISE INDICATED SHALL FOLLOW THE MANUFACTURER'S PUBLISHED INSTRUCTIONS AND RECOMMENDATIONS. FURNISH AND INSTALL ALL REQUIRED AUXILIARY ITEMS TO PROVIDE A COMPLETE AND OPERABLE SYSTEM.
- F. WITHIN THIRTY (30) DAYS OF CONTRACT AWARD, THE CONTRACTOR SHALL SUBMIT FOR REVIEW TO THE G.C. ALL DEVICES TO BE USED IN THE WORK. SUBMITTALS SHALL INCLUDE PIPE, FITTINGS, HANGERS AND SUPPORTS, INSULATION, FIXTURES AND RELATED EQUIPMENT.
- G. THE DRAWINGS SHALL NOT BE SCALED FOR EXACT MEASUREMENTS – USE FIELD MEASUREMENTS. REFER TO MANUFACTURER'S STANDARD ROUGH-IN DRAWINGS FOR PLUMBING FIXTURES AND FIELD MEASURED DIMENSIONS FOR EXACT LOCATIONS.
- H. COORDINATE WITH THE WORK OF OTHER SECTIONS AND TRADES, WITH EQUIPMENT FURNISHED BY OTHERS, AND WITHIN THE CONSTRAINTS OF THE EXISTING CONDITIONS OF THE PROJECT SITE.
- I. MISCELLANEOUS EXPENSES SUCH AS HOOK-UP CHARGES, PERMITS, INSPECTIONS, AND OTHER EXPENSES RELATED TO A COMPLETE AND FUNCTIONING SYSTEM ARE TO BE INCLUDED AS PART OF THIS SECTION.
- J. ACCESS PANELS SHALL BE PROVIDED IN CEILINGS OR WALLS WHERE CONCEALED DEVICES ARE LOCATED, EXCEPT WHERE ACCESS FOR ADJUSTMENT AND MAINTENANCE IS POSSIBLE THROUGH OTHER MEANS.
- K. PIPING SYSTEMS, GENERAL: ALL PIPING SHALL BE RUN PARALLEL TO BUILDING LINES AND SUPPORTED AND ANCHORED AS REQUIRED TO FACILITATE EXPANSION AND CONTRACTION. ALL PIPING SHALL BE CONCEALED EXCEPT IN UNFINISHED SPACES. INSTALL AS REQUIRED TO MEET ALL CONSTRUCTION CONDITIONS AND TO ALLOW FOR INSTALLATION OF OTHER WORK INCLUDING DUCTS AND ELECTRICAL CONDUIT. AT ALL CONNECTIONS BETWEEN FERROUS PIPING AND NONFERROUS PIPING, PROVIDE AN ISOLATING DIELECTRIC UNION. SEAL PIPE PENETRATIONS OF FIRE FLOORS AND FIREWALLS WITH FIREPROOF PUTTY OR GROUT. PROVIDE SUMNER OR EQUIVALENT PIPE HANGING SYSTEM IN CHASES. PROVIDE HANGERS AS RECOMMENDED BY HANGER MANUFACTURER.
- L. ALL SINK INSTALLATIONS SHALL BE EQUIPPED WITH HOT AND COLD RUNNING WATER THROUGH A MIXING VALVE OR COMBINATION FAUCET. ALL HANDWASHING SINKS SHALL BE EQUIPPED WITH ASSE 1070 COMPLIANT THERMOSTATIC MIXING VALVES.
- M. (IF APPLICABLE) ALL WASTEWATER FROM FOOD SERVICE EQUIPMENT WILL BE INDIVIDUALLY PLUMBED TO AN OPEN SITE DRAIN WITH A MIN. OF 1" AIR GAP.
- N. WHERE PIPING PENETRATES FIRE-RATED WALLS, PIPING SHALL BE INSTALLED AT 90 DEGREE ANGLE. PIPE SLEEVES SHALL NOT BE INSTALLED AT 45 DEGREE ANGLE.
- O. ALL FIXTURES SHALL BE PROPERLY VENTED TO THE ATMOSPHERE.
- P. WATER AND VENT PIPING SHALL BE RUN HIGH AS POSSIBLE UNLESS OTHERWISE NOTED.
- Q. THE WORK INCLUDES CONNECTION OF PLUMBING UTILITIES TO PUBLIC UTILITIES AND INSTALLATION OF A COMPLETE PLUMBING SYSTEM WITHIN THE BUILDING. PROVIDE NEW MATERIALS, FITTINGS, ACCESSORIES, FIXTURES AND EQUIPMENT NECESSARY FOR A COMPLETE AND PROPERLY FUNCTIONING SYSTEM AS SHOWN ON THE PLANS AND AS REQUIRED. THE WORK INCLUDES FINAL CONNECTIONS TO EQUIPMENT AND FIXTURES PROVIDED BY OTHERS. FURNISH ALL NEW MATERIALS. WORK SHALL BE PERFORMED BY EXPERIENCED TRADESMEN, AND THEIR WORKMANSHIP SHALL BE OF A HIGH STANDARD AND ACCEPTABLE TO THE ENGINEER, GENERAL CONTRACTOR, AND OWNER.
- R. ALL PLUMBING VENTS IN EXTERIOR WALLS SHALL BE OFFSET A MINIMUM OF 3' -0" IN CEILING AT ROOF BEFORE PENETRATION.
- S. ALL PLUMBING VENTS WITHIN A 10'-0" RADIUS OF EXHAUST VENTS SHALL BE EXTENDED TO A HEIGHT OF 3' -0" ABOVE EXHAUST VENT CROWN.
- T. ALL PLUMBING VENTS WITHIN A 10' -0" RADIUS OF ANY ROOFTOP UNIT OR INTAKE LOUVER SHALL BE EXTENDED TO A HEIGHT OF 3'-0" ABOVE FRESH AIR INTAKE.
- U. ALL HOSE BIBS SHALL BE MOUNTED 18" ABOVE FINISHED FLOOR, UNLESS OTHERWISE SPECIFIED.
- V. ALL WALL HYDRANTS SHALL BE MOUNTED 24" ABOVE FINISHED GRADE UNLESS OTHERWISE SPECIFIED.
- W. SLOPES AND INVERT ELEVATIONS OF ALL INTERIOR PIPING SHALL BE ESTABLISHED BEFORE ANY PIPING IS INSTALLED IN ORDER THAT PIPE SHALL BE LOCATED AND DETERMINED WHERE TO BE RUN TO AVOID CONFLICT WITH OTHER TRADES.
- X. CLEANOUTS SHALL BE PROVIDED NEAR BASE OF EACH VERTICAL WASTE OR SOLID STACK. PROVIDE 18" MINIMUM CLEARANCE FOR ACCESS.
- Y. UNLESS OTHERWISE NOTED, HORIZONTAL SANITARY PIPING SHALL BE PITCHED PER A.1.a.
- Z. LABEL ALL NEW PIPING. LABEL TO DESCRIBE SERVICE AND DIRECTION OF FLOW.
- AA. EXISTING FLOOR SLABS SHALL BE X-RAYED BEFORE ANY CORE DRILLING IS COMMENCED, IF APPLICABLE.
- AB. ALL BUILDING SYSTEMS SHALL REMAIN IN SERVICE UNLESS INDICATED OTHERWISE. ALL OUTAGES OR INTERRUPTIONS SHALL BE KEPT TO MINIMUM DURATION. NOTIFY THE OWNER 48 HOURS IN ADVANCE OF ANY OUTAGE OR INTERRUPTION.
- AC. THE CONTRACTOR SHALL REPAIR ALL WALL, CEILING, FLOOR, OR ROOF OPENINGS WHICH ARE CREATED BY DEMOLITION OR PENETRATION. THE REPAIRS SHALL BE WITH MATERIALS AND FINISHES TO MATCH EXISTING. ALL FIRE RATED PENETRATIONS SHALL BE SEALED WITH SUITABLE MATERIALS TO PRESERVE FIRE RATED INTEGRITY.
- AD. ALL EQUIPMENT INSTALLED SHALL BE NEW AND SHALL CONFORM IN ALL RESPECTS TO THE LATEST APPROVED STANDARDS OF IEEE, ANSI, NEMA AND UNDERWRITERS LABORATORIES, INC., UNLESS INDICATED OTHERWISE. SUBSTITUTIONS SHALL ONLY BE ACCOMPLISHED AT THE DISCRETION OF THE ENGINEER.
- AE. PROTECT ADJACENT MATERIALS INDICATED TO REMAIN. INSTALL AND MAINTAIN DUST AND NOISE BARRIERS TO KEEP DIRT, DUST, AND NOISE FROM BEING TRANSMITTED TO ADJACENT AREAS. REMOVE PROTECTION AND BARRIERS AFTER DEMOLITION OPERATIONS ARE COMPLETE.
- AF. THE WORK SHALL CONFORM TO THE LATEST EDITION OF THE LOCAL UNIFORM STATEWIDE BUILDING CODE AND THE AUTHORITIES DESIGN MANUAL.

PRODUCTS:

A. PIPING AND FITTINGS:

1. WASTE PIPING:

- a. SHALL BE TYPE PVC OR CAST IRON PER ASTM/ASME/CISPI STANDARDS. FITTINGS SHALL BE TYPE PVC OR CAST IRON. ABS CAN BE USED IF SHELL BUILDING SEWER & VENT PIPES ARE ABS. MUST BE APPROVED BY LOCAL CODES. PROVIDE ALL DRAIN, WASTE AND SEWER PIPING WITHIN THE PROJECT SPACE WITH CONNECTION TO THE PUBLIC SANITARY WASTE SYSTEM ON SITE. ALL PIPING BELOW FLOOR SLAB SHALL BE PVC OR SERVICE WEIGHT HUB AND SPIGOT PIPE AND FITTINGS WITH NEOPRENE GASKET JOINTS, OR HUBLESS PIPE WITH CAST IRON COUPLINGS AND STAINLESS STEEL BOLTS COATED WITH MASTIC. ALL WASTE PIPING ABOVE FLOOR SHALL BE PVC OR SERVICE WEIGHT COPPER HUBLESS PIPE, CONNECTORS AND FITTINGS. ALL PIPING SHALL BE SLOPED UNIFORMLY AT 1.04% (3" AND ABOVE) OR 2.08% (2" AND BELOW) UNLESS OTHERWISE REQUIRED BY EXISTING CONDITIONS. ALL INDOOR ABOVE GRADE SANITARY PIPING SHALL BE CAST IRON OR PVC INSULATED FOR SOUND.
- b. HUB-AND-SPIGOT, CAST -IRON SOIL PIPE AND FITTINGS
- b.a.a. Pipe and Fittings: ASTM A 74,[Service] class.
- b.a.b. Gaskets: ASTM C 564, rubber.
- c. HUBLESS, CAST -IRON SOIL PIPE AND FITTINGS
- c.a.a. Pipe and Fittings: ASTM A 888 or CISPI 301.
- c.a.a.1. Standards: ASTM C 12177 and CISPI 310.
- c.a.a.2. Description: Stainless-steel corrugated shield with stainless-steel bands and tightening devices; and ASTM C 564, rubber sleeve with integral, center pipe stop.
- c.a.a.3. Description: Stainless-steel shield with stainless-steel bands and tightening devices; and ASTM C564, rubber sleeve with integral, center pipe stop.
- d. COPPER TUBE AND FITTING
- d.a. Copper DWV Tube: ASTM B 306, drainage tube, drawn temper.
- d.b. Copper Drainage Fittings: ASME B16.23, cast copper or ASME B16.29, wrought copper, solder-joint fittings.
- d.c. Copper Ranges: ASME B16.24, Class 150, cast copper with solder-joint end.
- d.d. Solder: ASTM B 32, lead free with ASTM B 813, water-flushable flux.
- e. PVC PIPE AND FITTINGS
- e.a. Solid-Well PVC Pipe: ASTM D 2665, drain, waste, and vent.
- e.b. PVC Socket Fittings: ASTM D 2665, made to ASTM D 3311, drain, waste, and vent patterns and to fit Schedule 40 pipe.
- e.c. Adhesive Primer: ASTM 656.
- e.c.a. Adhesive primer shall have a VOC content of 550 g/L or less when calculated according to 40 CFR 59, Subpart D (EPA Method 24).
- e.d. Solvent Cement ASTM D 2564.
- e.d.a. PVC solvent cement shall have a VOC content of 51 0 g/L or less when calculated according to 40 CFR 59, Subpart D (EPA Method 24).

2. INDIRECT WASTE PIPING (IF APPLICABLE):

- a. HARD DRAWN COPPER TUBE TYPE "M".
- b. PVC

3. VENT PIPING:

- a. PROVIDE A COMPLETE SYSTEM OF VENT PIPING, CONSISTING OF SERVICE WEIGHT CAST IRON HUBLESS PIPE OR SCHEDULE 40 PVC, CONNECTORS AND FITTINGS. COMBINE THE VENT RISERS IN THE CEILING SPACE AND CONNECT TO NEW VENT MAIN.

4. WATER PIPING:

- c. PROVIDE A NEW DOMESTIC HOT AND COLD WATER PIPING SYSTEM INSIDE THE BUILDING AS SHOWN ON DRAWINGS. LAY OUT WATER PIPING SO THAT ENTIRE SYSTEM CAN BE DRAINED. HOT AND COLD WATER PIPING SHALL BE TYPE "L" COPPER TUBING ASTM B-88 AND FEDERAL SPECIFICATION WW-799 WITH WROUGHT COPPER FITTINGS AND SWEAT CONNECTIONS USING LEAD-FREE SOLDER. FITTINGS SHALL BE SOLDER JOINT COPPER FITTINGS PER ANSI B16.18 OR B16.22 OR SCHEDULE 40/80 CPVC. PROVIDE WATER HAMMER ARRESTORS AS REQUIRED. FLUSH THE WATER PIPING CLEAR OF DEBRIS AND CLEAN THE AERATORS AND STRAINERS AT THE TERMINATION OF THE INSTALLATION. JOINTS SHALL BE MADE WITH LEAD FREE SOLDER. 95/5 SOLDER OR SILVER SOLDER.

b. COPPER TUBE AND FITTINGS

- b.a. Hard Copper Tube: ASTM B 88, Type L and ASTM B 88, Type M water tube, drawn temper.
- b.b. Soft Copper Tube: ASTM B 88, Type K and ASTM B 88, Type L water tube, annealed temper.
- b.c. Cast-Copper, Solder-Joint Fittings: ASME B16.18, pressure fittings.
- b.d. Wrought-Copper, Solder-Joint Fittings: ASME B16.22, wrought-copper pressure fittings.
- b.e. Bronze Flanges: ASME B16.24, Class 150, with solder-joint ends.
- b.f. Copper Unions:
- b.f.1. MSS SP-123.
- b.f.2. Cast-copper-alloy, hexagonal-stock body.
- b.f.3. Ball-and-socket, motel-to-motel seating surfaces.
- b.f.4. Solder-joint or threaded ends.
- b.f.5. Copper Pressure-Seal-Joint Fittings:
- b.f.6. Fittings for NPS 2 and Smaller. Wrought-copper fitting with EPDM-rubber, 0-ring seal in each end.
- b.1. 7. Fittings for NPS 2-1/2 to NPS 4: Cast-bronze or wrought-copper fitting with EPDM-rubber, D-ring seal in each end.

c. CPVC PIPING

- c.a. CPVC Pipe: ASTM F 441/F 441M, [Schedule 40] [end] [Schedule 80].
- c.b. CPVC Socket Fittings: [ASTM F 438 for Schedule 40] [and] [ASTM F 439 for Schedule 80].
- c.c. CPVC Threaded Fittings: ASTM F 437, Schedule 80.
- c.d. CPVC Piping System: ASTM D 2846/D 2846M, SDR 11, pipe and socket fittings.
- c.e. CPVC Tubing System: ASTM D 2846/D 2846M, SDR 11, tube and socket fittings.

5. PIPE INSULATION:

INSULATE ALL COLD WATER AND CONDENSATE PIPING WITH 1/2", AND HOT WATER AND HOT WATER RETURN PIPING WITH 1", PREFORMED FIBERGLASS PER ASTM C335 WITH ALL -SERVICE JACKET AND VAPOR BARRIER (BY CT, OC, JM, PPS, OR KNAUF). INSULATION SHALL COMPLY WITH NFPA 255 AND ASTM E84 WITH A MAXIMUM FLAME SPREAD OF 25 AND MAXIMUM SMOKE DEVELOPED OF 50. PROVIDE PRE- MOLDED FITTING COVERS EQUAL TO STARR DAVIS. AT CONTRACTOR'S OPTION, PLENUM-RATED ELASTOMERIC INSULATION (BY ARMSTRONG, RUBATEX OR EQUAL) MAY BE USED.

6. SHUT -OFF VALVES:

VALVES WITH UNIONS SHALL BE PROVIDED AT BRANCHES TO GROUPS OF MORE THAN TWO FIXTURES AND AT THE WATER HEATER TO FACILITATE ISOLATION FOR REPAIR OR REPLACEMENT. USE CHROME-FINISHED FORGED BRONZE BODY, FULL PORT BALL VALVES, WITH TEFLON SEATS AND PACKING, 400 LB. wog, WITH SOLDER ENDS, EQUAL TO JENKINS #902-T. VALVES SHALL BE ALL BRONZE FABRICATED PWG VALVES FOR SCREWED PIPE. BY WALWORTH, ROCKWELL, NORDSTROM OR APPROVED EQUIVALENT.

7. AIR ADMITTANCE VALVE (IF REQUIRED):

STUDER MINIVENT, MAXIVENT, REDIVENT, TEVENT AND ULTRAVENT.

8. FLOOR DRAINS, CLEAN OUTS, TRAP SEALERS, HOSE BIBS AND BACKFLOW PREVENTERS:

SEE SCHEDULE ON PLUMBING DRAWINGS.

9. SUPPLIES AND TRAPS:

PROVIDE INLINE WATERLESS TRAP SEALERS OR WATER SEALED TRAPS AND SUPPLIES INSTALLED AS CLOSE AS POSSIBLE TO ALL PLUMBING FIXTURES, DRAINS, AND/OR EQUIPMENT ITEMS FURNISHED BY OTHERS, HAVING A WASTE CONNECTION, OR REQUIRING WATER SERVICE. EXPOSED TRAPS AND SUPPLIES IN EXPOSED AREAS INCLUDING CABINET INTERIORS) SHALL BE CHROME PLATED BRASS. EXPOSED TRAPS ON ADA SINK SHALL HAVE WHITE PLASTIC JACKET INSULATION TO PREVENT TOUCH BY HANDICAP

10. DIELECTRIC FITTINGS:

SHALL BE EQUAL TO EPCO SALES, INC.

EXECUTION

- A. PROVIDE ALL WORK, EQUIPMENT, AND MATERIALS INDICATED.
- B. ALL PIPE SHALL BE INSTALLED ABOVE CEILINGS, INSIDE WALLS, UNDERGROUND, OR IN CONCEALED SPACES.
- C. DISINFECTION OF POTABLE WATER SHALL BE PERFORMED IN ACCORDANCE WITH THE LOCAL AUTHORITY HAVING JURISDICTION. THOROUGHLY CLEAN ITEMS BEFORE INSTALLATION. CAP PIPE OPENINGS TO EXCLUDE DIRT UNTIL FIXTURES ARE INSTALLED AND FINAL CONNECTIONS HAVE BEEN MADE. PROCEED AS RAPIDLY AS CONSTRUCTION WILL PERMIT. SET FIXTURES LEVEL AND IN PROPER ALIGNMENT. INSTALL SUPPLIES IN PROPER ALIGNMENT WITH FIXTURES PER MANUFACTURER'S ROUGH-IN DIMENSIONS. INSTALL SILICONE SEALANT BETWEEN FIXTURES AND ADJACENT MATERIAL FOR SANITARY JOINTS. REPAIR ANY DAMAGE DONE TO EXISTING FEATURES AND RESTORE TO ORIGINAL CONDITIONS. PROVIDE CLEAN CONDITIONS AT TERMINATION OF WORK.
- D. TEST WASTE AND WATER UNDER ACTUAL OPERATING CONDITIONS. REPAIR LEAKS AND RETURN TO SERVICE. TEST WASTE PIPING AT 15 FEET OF HEAD FOR 24 HOURS. TEST WATER PIPING AT 125 PSI FOR 2 HOURS. MAKE REPAIRS WITH NEW MATERIALS. REPLACE LEAKING MATERIALS. DO NOT REPAIR BY PATCHING. REPEAT TEST UNTIL STANDARDS ARE ACHIEVED.
- E. PROVIDE DOMESTIC WATER BACKFLOW PREVENTERS AT ALL COFFEE MAKERS, ICE MAKERS, DISHWASHERS, WATER COOLERS, AIR CONDITIONING UNIT HUMIDIFIERS AND OR ANY OTHER DEVICE REQUIRED BY THE LOCAL AUTHORITY HAVING JURISDICTION. BACKFLOW PREVENTERS SHALL BE APPROVED BY THE LOCAL AUTHORITY HAVING JURISDICTION.
- F. ALL SAW CUT OF FLOOR SHALL BE PATCHED BACK TO MATCH EXISTING FINISHES. BACKFILL PER SOILS ENGINEER'S RECOMMENDATIONS. SEAL WITH WATERPROOF MEMBRANE ALL SLAB PENETRATIONS 6" OUT FROM AND 6" UP THE DEMISING WALL.
- G. GUARANTEE THE WORK AND THE INSTALLATION FOR ONE YEAR AFTER FORMAL ACCEPTANCE BY THE OWNER.
- H. ALL PIPES SHALL BE HUNG FROM BUILDING STRUCTURE WITH INSERTS EMBEDDED NO MORE THAN 2".
- I. UPON COMPLETION OF THE WORK, THE CONTRACTOR SHALL THOROUGHLY CLEAN THE CONTRACT AREA AND ALL OTHER AREAS USED FOR STORAGE, STAGING, ETC. THIS SHALL INCLUDE, BUT NOT BE LIMITED TO: WASHING (AND REPAIRING), REMOVING SPOTS AND STAINS, CLEANING ALL FIXTURES AND WASHING ALL FLOORS, WALLS AND CEILINGS (IF APPROPRIATE).
- J. REFER TO MECHANICAL SHEETS FOR LOCATIONS OF MECHANICAL EQUIPMENT AND DUCTWORK AND COORDINATE ALL WORK TO BE REMOVED.
- K. THE CONTRACTOR SHALL PROVIDE NECESSARY PIPING, VALVES, TRAPS, TEMPORARY FEEDS, DRIPS, ETC. AS REQUIRED. DRAIN AND REFILL PIPING SYSTEMS AS OFTEN AS NECESSARY TO ACCOMMODATE PHASING AND TO MINIMIZE TIME LENGTH OF OUTAGES.
- L. WHERE REQUIRED TO MAINTAIN THE EXISTING SYSTEMS IN OPERATION, THE CONTRACTOR SHALL TEMPORARILY BACKFEED EXISTING SYSTEMS FROM NEW EQUIPMENT. CONTRACTOR SHALL TEMPORARILY EXTEND EXISTING PIPING SYSTEMS TO NEW PIPING SYSTEMS WITH THE APPROPRIATE SHUT -OFF VALVES.
- M. AT COMPLETION OF PROJECT ALL TEMPORARY PIPING, VALVES, CONTROLS, ETC. SHALL BE REMOVED IN THEIR ENTIRETY.

Preston Fields
Pressbox and
Bathroom
Building
Jim Barnett Park
Winchester, VA 22601

Site Engineer

PAINTER-LEWIS, P.L.C.
817 Cedar Creek GRADE, Suite 120
Winchester, Virginia 22601
(540) 662-5792

Mech/Elect Engineer

Comfort Design, Inc.
620 Pennsylvania Avenue
Winchester, VA 22601

Architect

Issue/Revision

Seal

Drawing Title

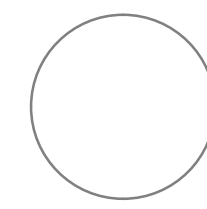
Plumbing Notes

Date 5/16/23

Scale Noted Project Number 21005

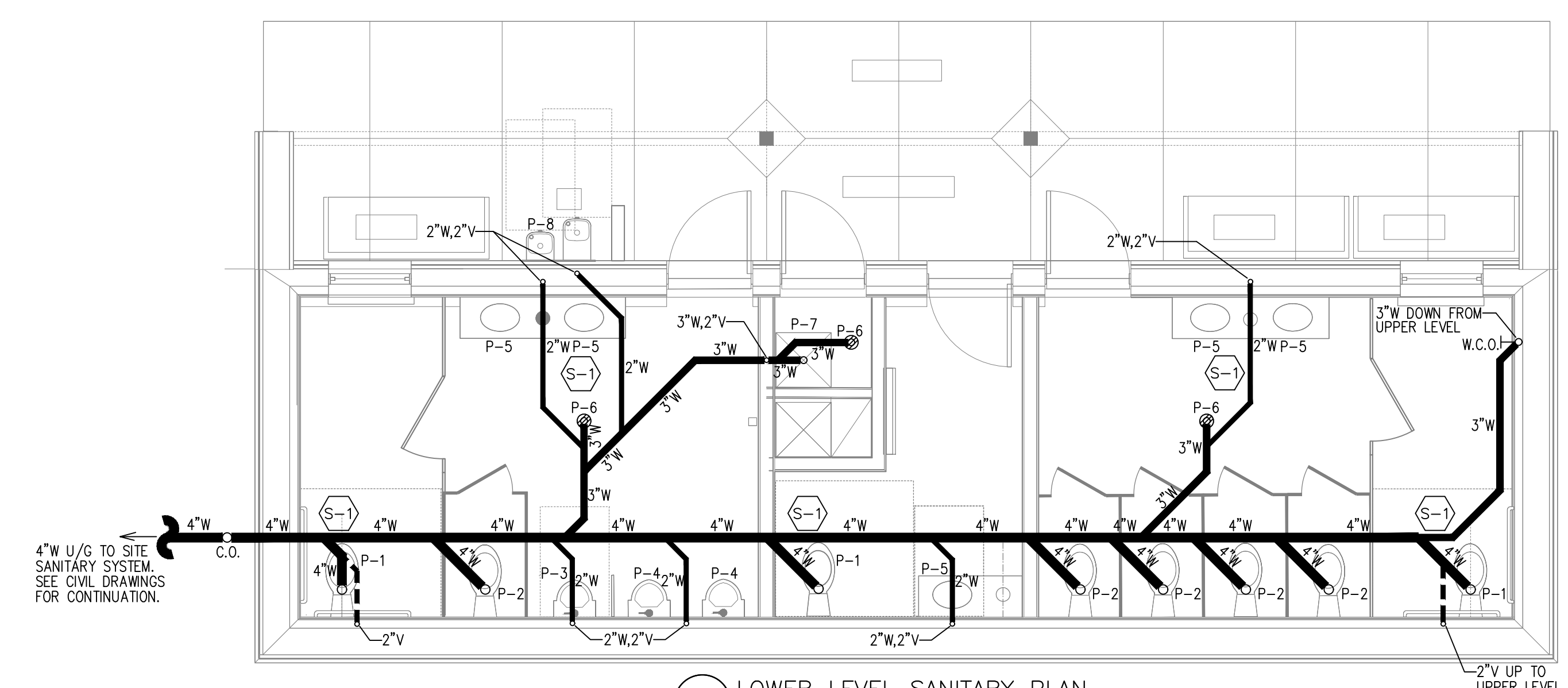
Drawing Number

P1.2

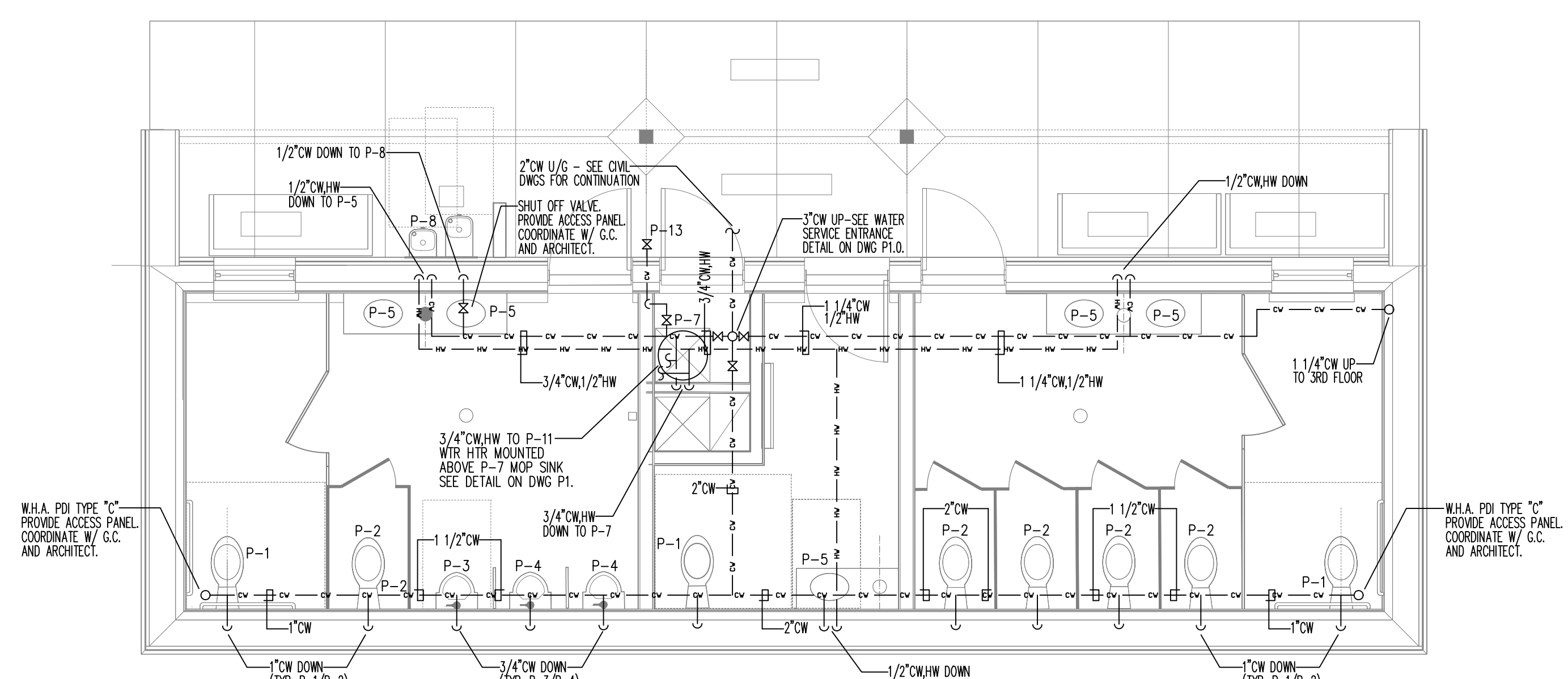


NORTH (building)

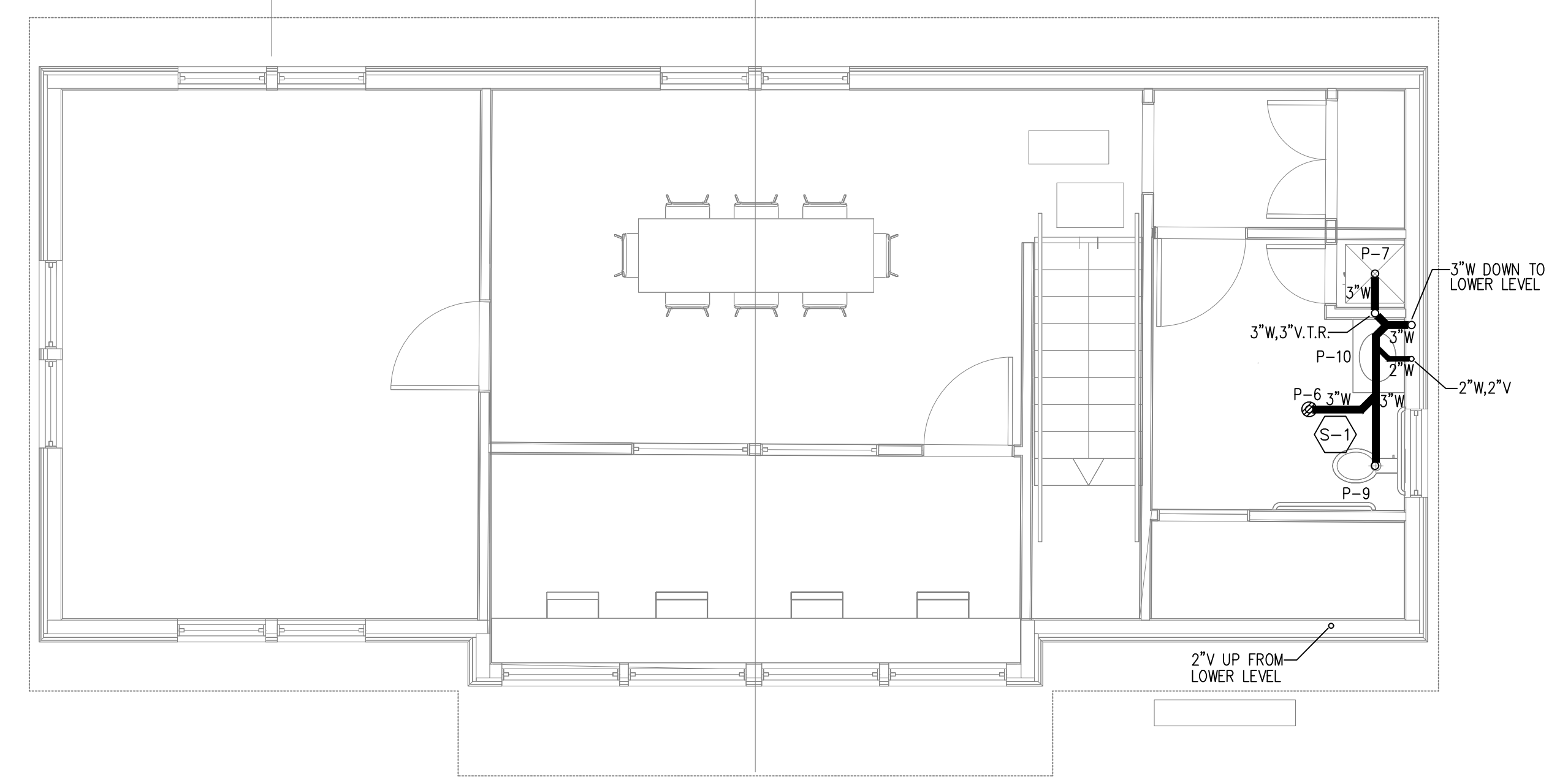
Preston Fields Pressbox and Bathroom Building Jim Barnett Park Winchester, VA 22601



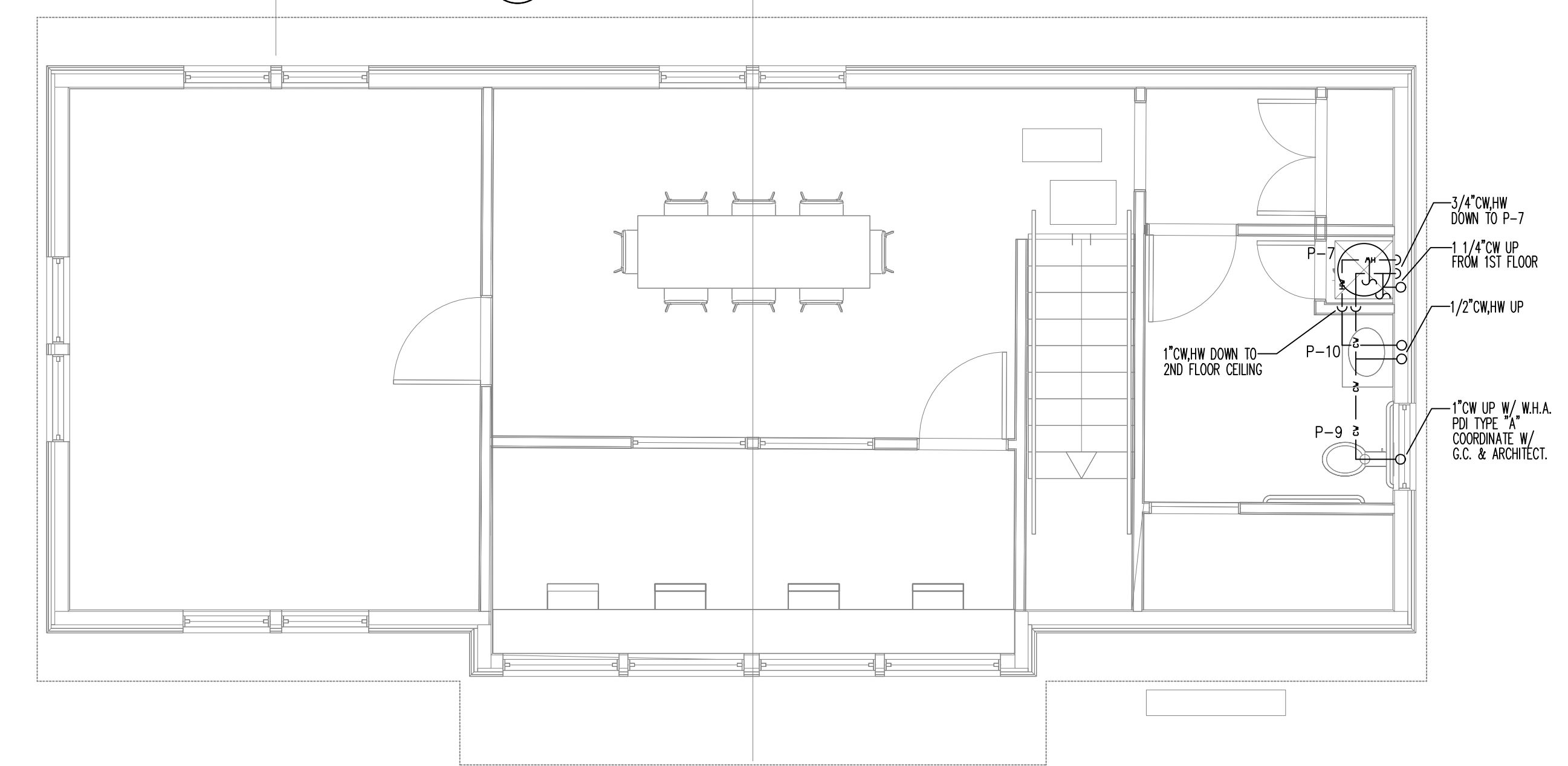
1 LOWER LEVEL SANITARY PLAN
SCALE : 1/4" = 1'-0"



3 LOWER LEVEL WATER PLAN
SCALE : 1/4" = 1'-0"



2 UPPER LEVEL SANITARY PLAN
SCALE : 1/4" = 1'-0"



4 UPPER LEVEL WATER PLAN
SCALE : 1/4" = 1'-0"

Site Engineer
PAINTER-LEWIS, P.L.C.
817 Cedar Creek GRADE, Suite 120
Winchester, Virginia 22601
(540) 662-5792

Mech/Elect Engineer
Comfort Design, Inc.
620 Pennsylvania Avenue
Winchester, VA 22601

Architect

Issue/Revision	Seal

Drawing Title

Plumbing Plans

Date 5/16/23
Scale Noted Project Number 21005
Drawing Number

P2.1